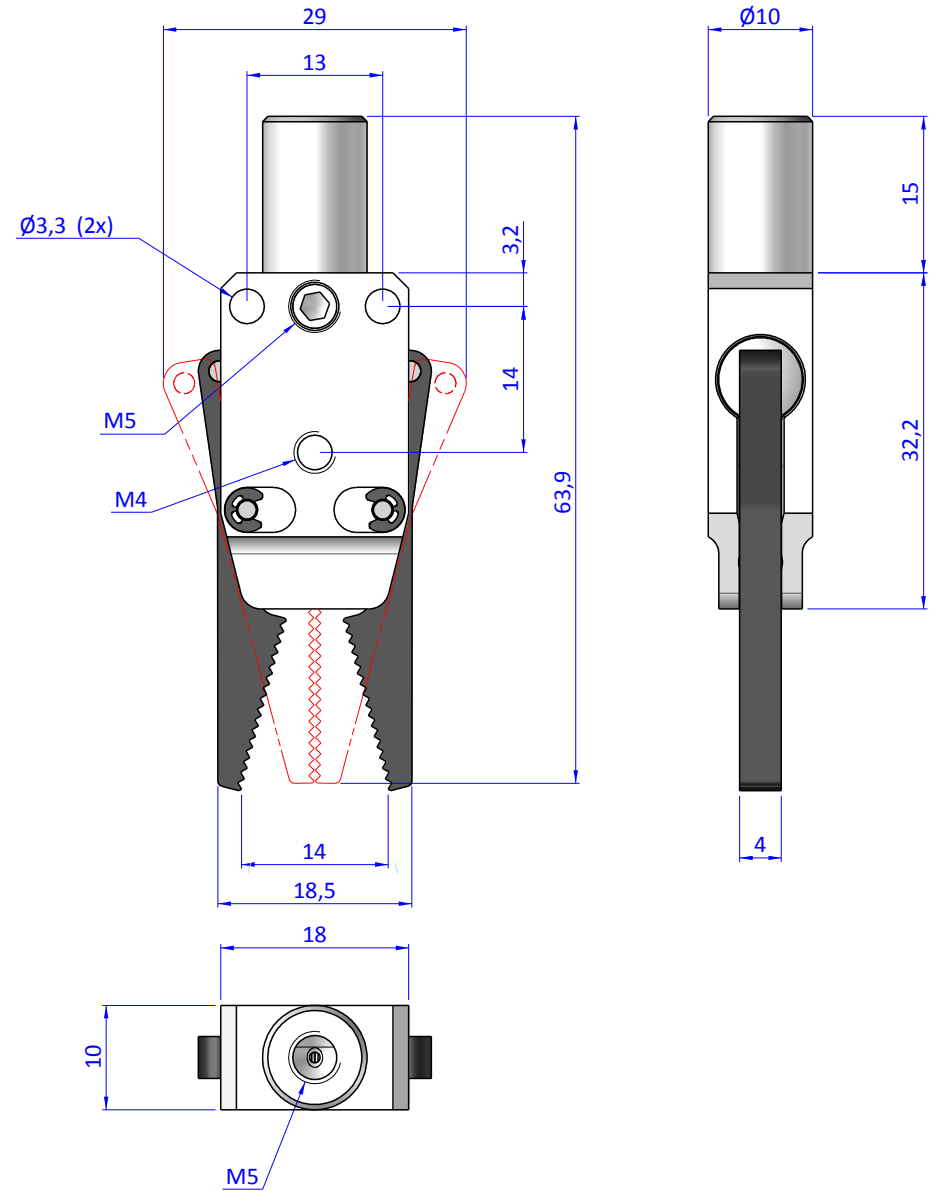
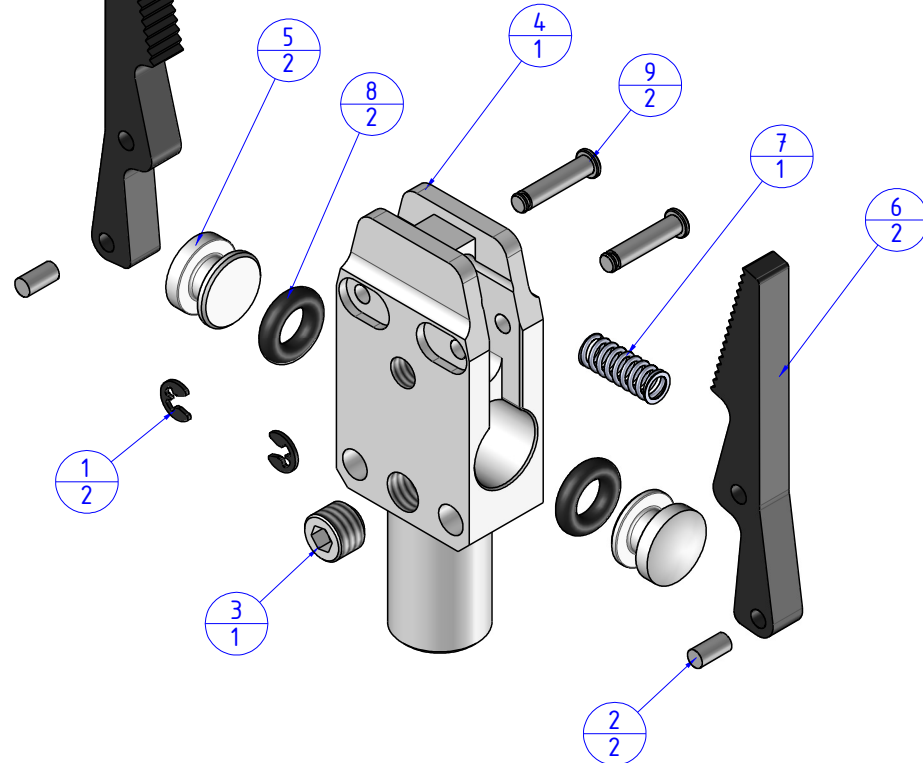



THE PROPERTY OF THE DRAWING IS ESTABLISHED BY LAW. IT IS FORBIDDEN TO PRODUCE OR SHOW IT TO THIRD PARTY, WITHOUT A WRITTEN AGREEMENT.

Object Number	Name	QTY
1	A.ELA.RA1.5	2
2	GZA.10.08.9	2
3	GR.5X4	1
4	GZA.10.08.1	1
5	GZA.10.08.2	2
6	GZA.10.08.3	2
7	M.MP13X3.5D.5	1
8	ORM.4x2	2
9	SP.2x10SS	2



Format A3

UNI 936-76

 FPS SERVICES AUTOMATION		DESIGNED FROM		REVIEW
		FPS Automation		A
GENERAL TOLERANCE		DATE	WEIGHT	
UNI - ISO 2768		15/03/2019	0,016kg	
CLASSE F		CODE		
		CA.GZA.10.08		CA.GZA.10.08